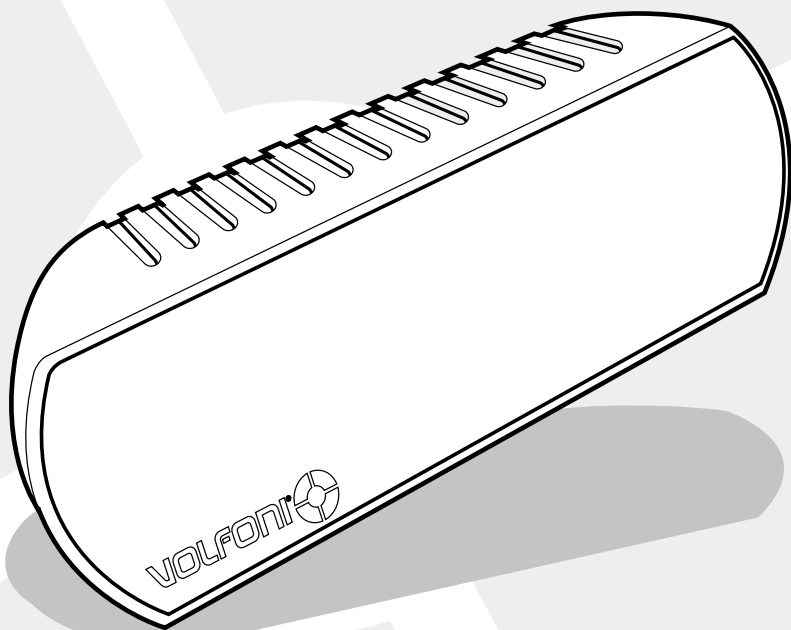


User manual

ACTIVHUB™ IR50



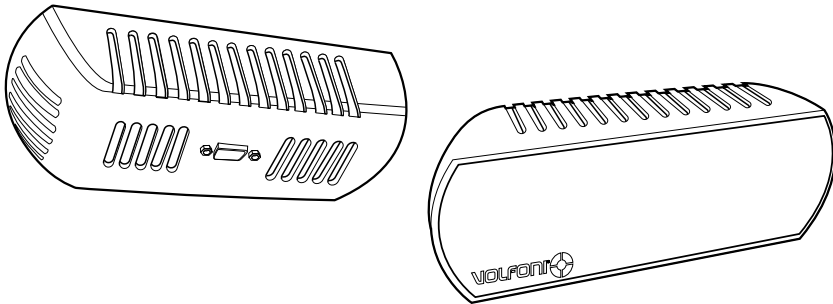
SUMMARY

Content	Page
1. OVERVIEW	2.
2. CONTENT/ACCESSORY	3.
3. PRODUCT DESCRIPTION	3-7.
3.1 TECHNICAL SPECIFICATIONS	3.
3.2 HOW TO USE THE ACTIVHUB IR50	4.
3.3 DEFAULT ROOM CONFIGURATION	4.
3.4 ELECTRICAL INFORMATION	5.
3.5 ACTIVE 3D GLASSES	6.
3.6 CEILING/WALL INSTRUCTIONS	7.
4. WARRANTY	8.
5. REGULATORY STANDARDS	8.
6. CONTACTS	8.

1. PRODUCT OVERVIEW

The Volfoni ActivHub IR50(REF VPES-05000) is a medium sized IR Emitter with a built-in synchronizer. Powerful and compact, the ActivHub IR50 designed for viewing 3D content in a small room, such as a theater or room up to 50 seats, for example.

Thanks to its lightweight design, the ActivHub IR50 allows for greater heat dissipation, meaning longer LED life protection. The kit includes a universal mounting socket for security and is easy to install.



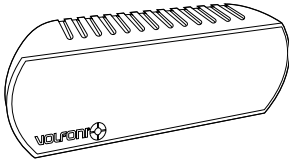
Key points :

- **Volfoni ActivHub IR50 is an infra-red emitter to be used with quality and lightweight active 3D glasses. Please contact Volfoni or your distributor to get information about available active 3D glasses.**
- **Cost saving solution for auditoriums up to 50 seats.**
- **Quick and easy set-up with any projectors with VESA or BNC 3D Sync out.**
- **With no silver screen required, image quality is preserved at all seating positions.**

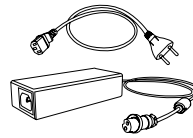
2. CONTENTS / ACCESSORY

The ActivHub IR50 includes:

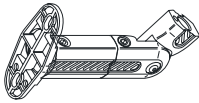
-1 IR Emitter



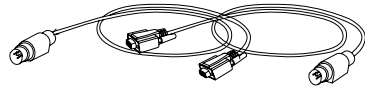
-1 Power Supply (110V/240V) with US, EU, UK, AUS and CN adaptators



-Universal mount with screws (ceiling mountable)

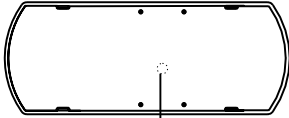


-2 cables for synchronization
o1 SUB-D9/BNC cable
o1 SUB-D9/VESA cable

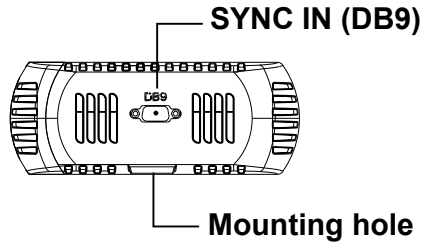


-User manual

3. PRODUCT DESCRIPTION



Power in **Power LED**

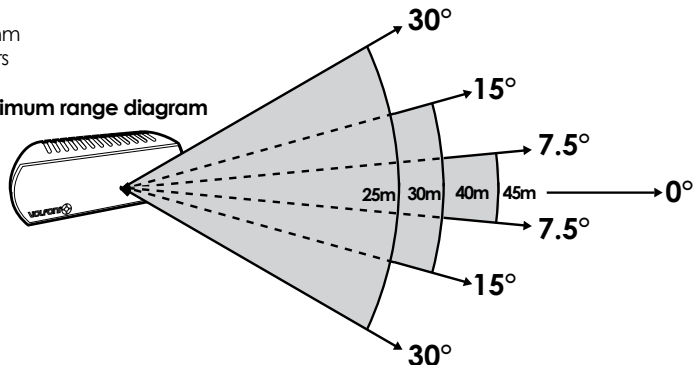


3.1 TECHNICAL SPECIFICATION

- Power supply : 24VDC, 3A 110-240V Universal Power Adapter
- Dimension : 182 x 70 x 44 mm (14.1 x 2.75 x 1.8 inches)
- Weight : 240 grams
- IR Wavelength : 940 nm
- Max range : 15 meters

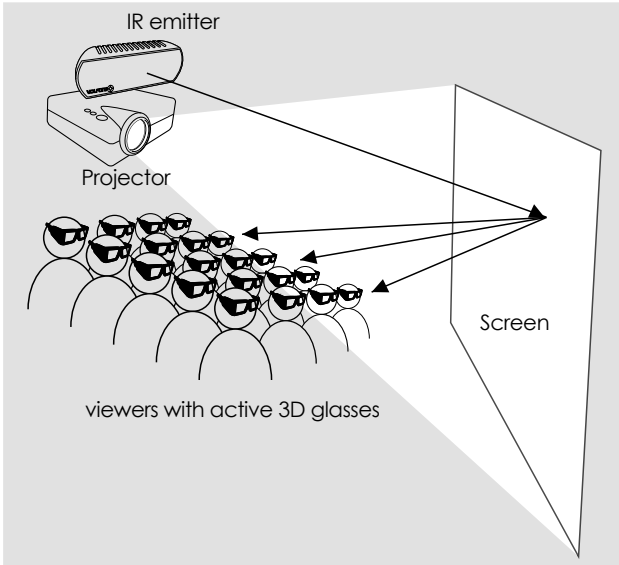
Recommended maximum range diagram

Top view

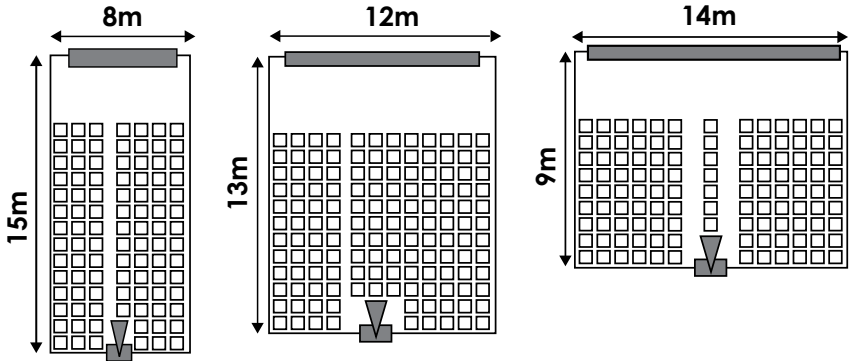


3.2 HOW TO USE THE ActivHub IR50 3D

The IR Emitter must be facing the screen and connected to the projector for synchronization. The IR Emitter emits the infra-red signal toward the screen. The signal bounces toward the audience wearing 3D active glasses.



3.3 RECOMMENDED ROOM CONFIGURATION

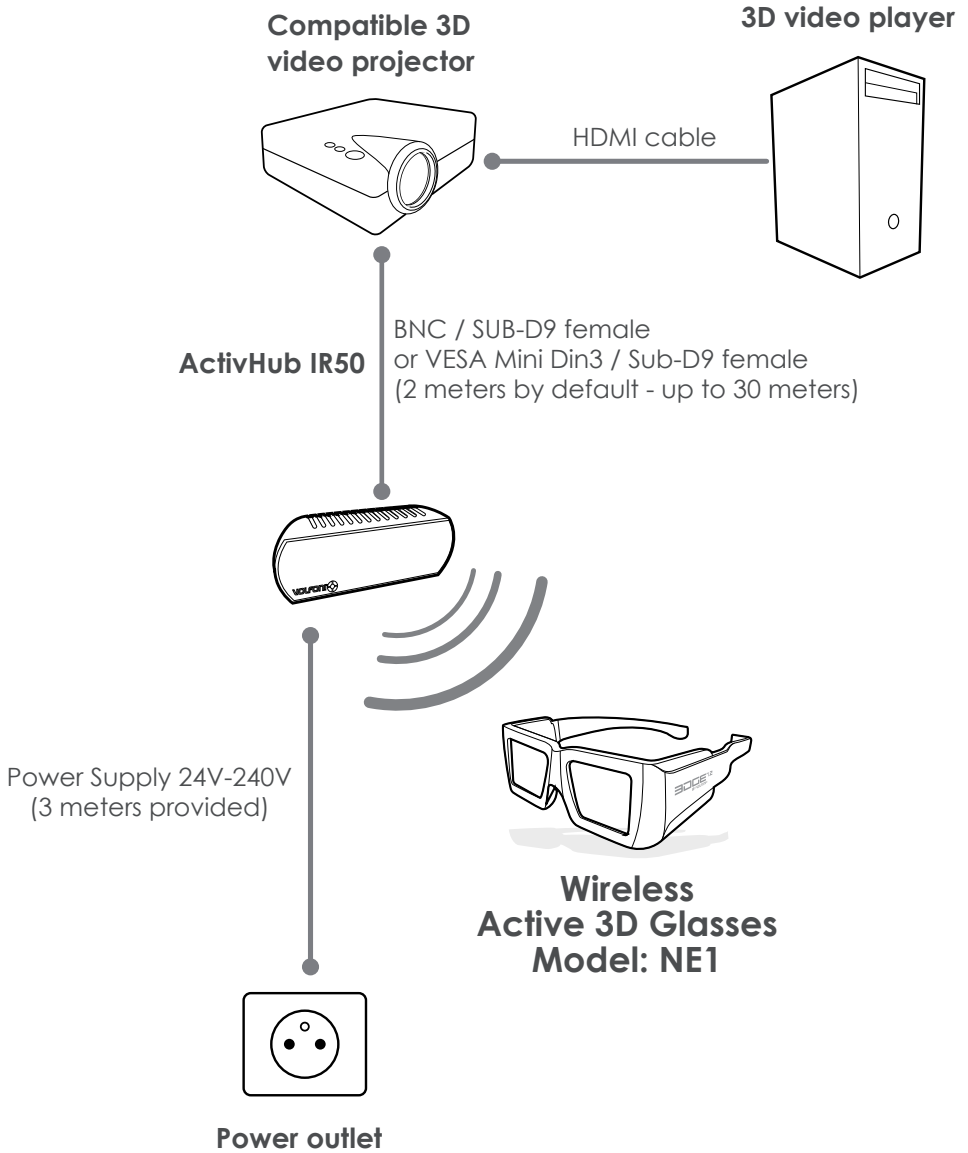


Maximum Size of Movie Theater with one IR Emitter

For other configurations, please refer to your technical support.

3.4 ELECTRICAL INSTALLATION

The VR 3D Kit can be connected as shown in the following figure.



3.5 ACTIVE 3D GLASSES

Volfoni recommends its high quality active 3D glasses EDGETM1.2

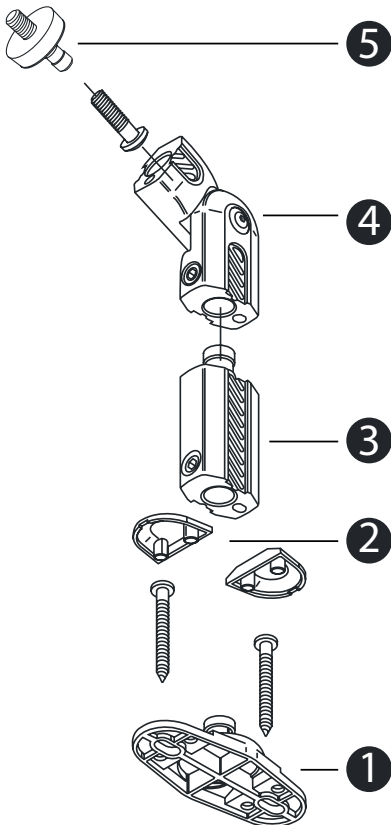
- Unbeatable luminosity and natural colors
- Stylish ergonomic design, rugged and lightweight
- Exceptional comfort with universal nosepiece and 3 sizes of adaptable arms
- Automatic infra-red synchronization, super wide receiving angle
- Very low maintenance with high durability coating and generic low cost battery

Refer to Volfoni website (www.volfoni.com) or contact Volfoni Offices to get more information on the EDGE 1.2 Active 3D Glasses.

3.6 CEILING / WALL INSTRUCTIONS

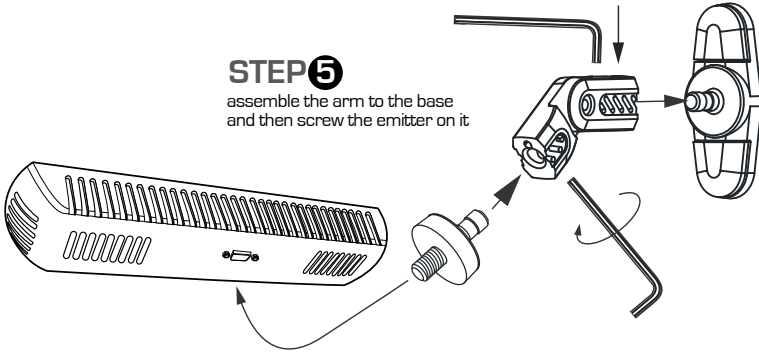
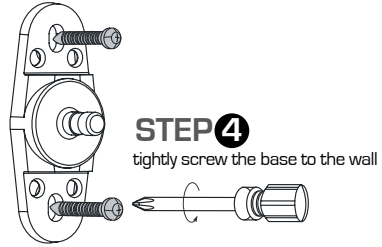
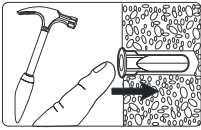
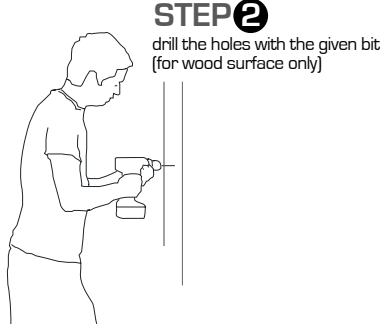
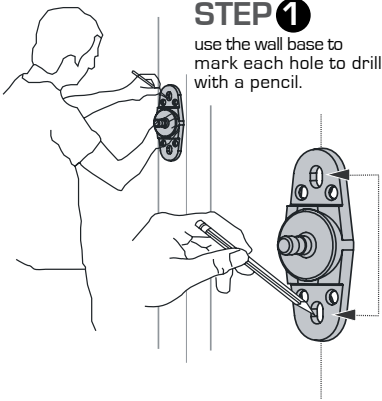
MOUNTING OVERVIEW

Before installing the emitter facing the screen, make sure you have all the needed tools and the instruction manual. This wall fixing part is provided with all the screws and wall anchors you might need. Follow the instructions to fasten this kit.



Parts	Qty	Product description
①	— 2 —	Mounting plate
②	— 2 —	Screw covers
③	— 1 —	Extension
④	— 1 —	Adjusting Knuckle
⑤	— 1 —	Emitter plate

MOUNTING INSTRUCTIONS (Step by Step)



WALL TYPES AND HOLE SIZES

1/2" drywall	wood stud	solid concrete
<p>NOT INCLUDED</p> <p>6.35 mm (1/4")</p> <p>13 mm (1/2")</p>	<p>INCLUDED</p> <p>2.5 mm (3/32")</p> <p>32 mm (1 1/4")</p>	<p>NOT INCLUDED</p> <p>4.7 mm (3/32")</p> <p>44 mm (1 3/4")</p>

4. WARRANTY

The ActivHub IR50 is warranted to the original purchaser for three to twelve months according to local legislation. Infra-red emitter/syn-chronizer and cables should be returned in original box along with original proof of purchase. Infra-red emitter/synchronizers which are broken or scratched are not covered.

Emitter-Synchronizer : « Volfoni does not cover uninterrupted or error-free operation of the product under warranty ».

5. REGULATORY STANDARDS



EUROPEAN UNION – Disposal Information

This symbol means that according to local laws and regulations your product should be disposed of separately from household waste. When this product reaches its end of life, take it to a collection point designated by local authorities.

Some collection points accept product for free. The separate collection and recycling of your product at the time of disposal will help conserve natural resources and ensure that it is recycled in a manner that protects human health and the environment.

FCC Compliance Statement :

This device complies with part 15 of the FCC Rules. Operation is subject to the following two conditions: (1) this device may not cause harmful interference, and (2) this device must accept any interference received, including interferences that may cause undesired operation.

CE Certification

This device complies with CE Certification.

Electrical Safety (IEC 60950-1)

This device complies with IEC 60950-1

6. CONTACTS

Distributed by VOLFONI SAS

29, rue Jean Jacques Rousseau
75001 Paris
France

Distributed in Germany by VOLFONI GmbH

Erzgießereistraße 38
80335 München
GERMANY

Distributed in US by VOLFONI Inc.

3450, Cahuenga Bd West.
Unit 504
Los Angeles, CA
90068 – USA

Distributed in Spain by VOLFONI Iberia, S.L.

4, Ronda Guglielmo Marconi
46980 Paterna (Valencia)
Spain

Distributed in UK by VOLFONI Ltd

90 Long Acre
Covent Garden
WC2E 9RZ London
United Kingdom

Distributed in China by VOLFONI Ltd

2101, Tower One, Lippo Center, 89,
Queensway,
Hong Kong

Commercial support
contact@volfoni.com
www.volfoni.com